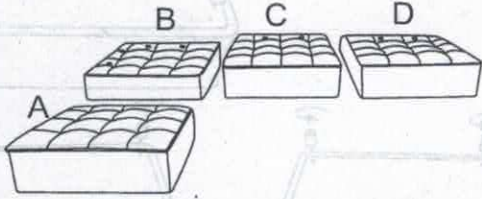
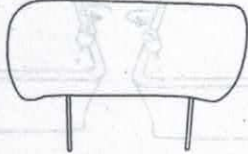
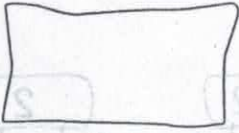



Assembly Instructions

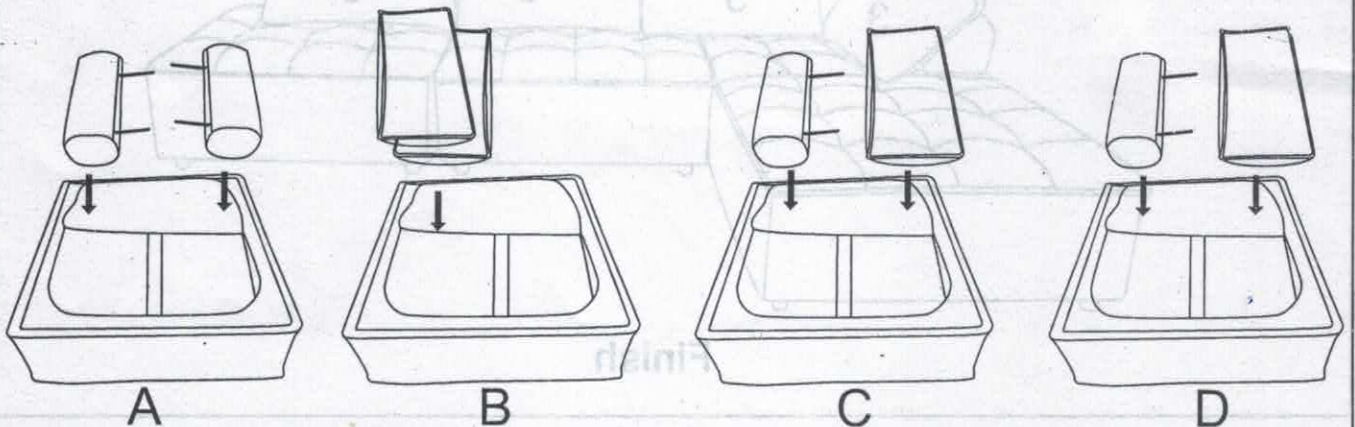
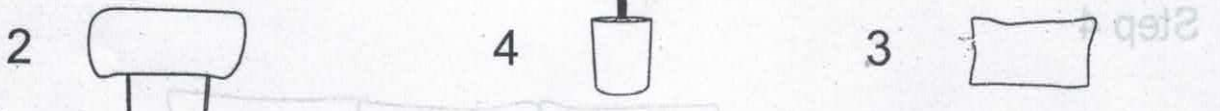
Parts List

Label	Picture	Description	QTY
1		Sofa	1
2		Headrest	4
3		Backrest	4
4		Plastic Leg	16

Assembly Steps

Step 1 Take out the backrest and headrest from the sofa.

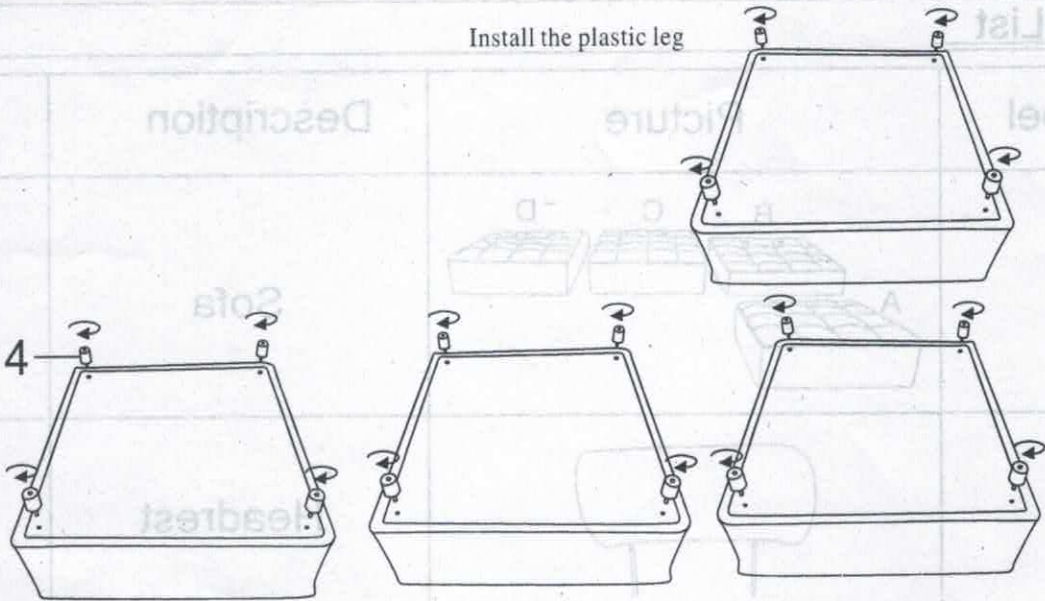
Take out the plastic leg from the bottom of the sofa



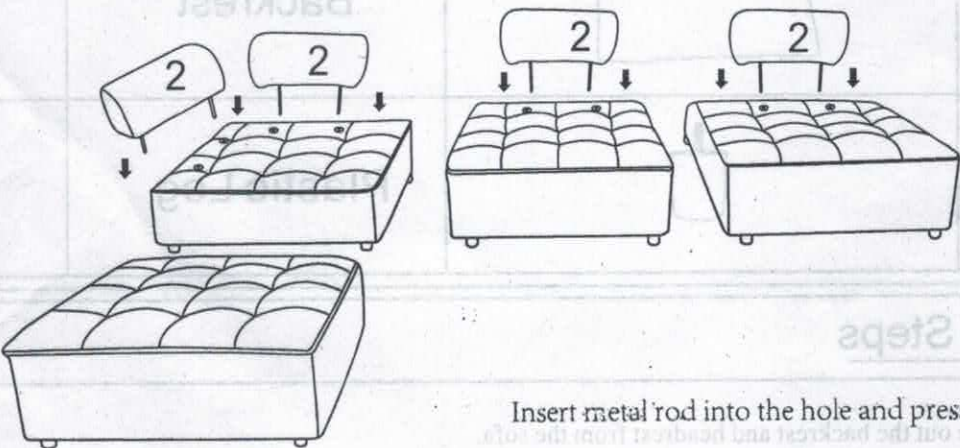
Assembly Steps

Step 2

Install the plastic leg

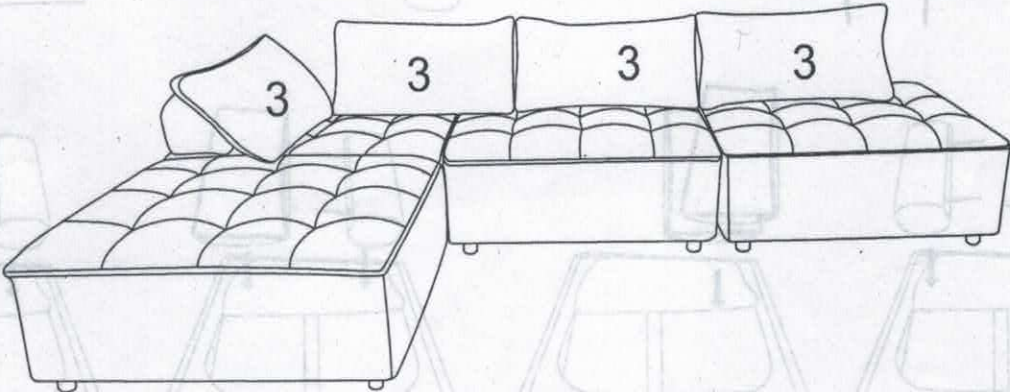


Step 3



Insert metal rod into the hole and press down

Step 4



Finish